

MODEL 5120

Thermoelectric Generator

The Model 5120 Thermoelectric Generator contains no moving parts. It is a reliable, low-maintenance source of DC electrical power for any application where regular utilities are unavailable or unreliable.

KEY DESIGN FEATURES:

- ✘ Automatic Spark Ignition (SI)
- ✘ Automatic Fuel Shut-Off (SO)
- ✘ Fuel Filter
- ✘ Low Voltage Alarm Contacts (VSR)
- ✘ Volt & Amp Meter (6.7V excluded)
- ✘ Reverse Current Protection

OPTIONAL FEATURES:

- ✘ Cathodic Protection Interface
- ✘ Pole Mount or Bench Stand
- ✘ Corrosive Environmental Fuel System
- ✘ Flame Arrestor
- ✘ Marine Service
- ✘ Remote Start
- ✘ High BTU Gas Pack



Specification Sheet

Power Specifications

Power Rating at 20°C:

120 Watts @ 6.7 Volts
 108 Watts @ 12 Volts
 108 Watts @ 24 Volts
 108 Watts @ 48 Volts

Electrical

Output Adjustment Range:

6.7 V up to 11 Volts
 12 V 12-18 Volts
 24 V 24-30 Volts
 48 V 48-60 Volts

Output: Terminal block which accepts up to 8 AWG wire. Opening for 3/4" conduit in base of cabinet.

Fuel Requirements

Natural Gas:

8.8m³/day (311 Sft³/day) of Std.
 1000 BTU/Sft³ (37.7 MJ/Sm³) gas
 *1200-1500 BTU/Sft³
 (45.2-56.5 MJ/Sm³) gas
 max 115 mg/Sm³ (~170 ppmw) H₂S
 max 120 mg/Sm³ H₂O
 max 1% free O₂

*High BTU Gas Pack

Propane:

11.4 l/day (3.0 US gal/day)

Max. Supply Pressure: 172 kPa (25 psi)

Min. Supply Pressure NG: 69 kPa (10 psi)

Min. Supply Pressure LPG: 103 kPa (15 psi)

Fuel Connection: 1/4" MNPT

Environmental

Ambient Operating Temperature:

Max. +45°C (115°F)
 Min. -40°C (-40°F)

Operating Conditions:

Unsheltered operation

Please contact GPT for operating conditions below -40°C or above +45°C.

Construction

Materials:

Cabinet: 304 Stainless Steel (SS)
 Cooling Type: Natural Convection
 Fuel System: Brass, Aluminum & Stainless Steel

Note:

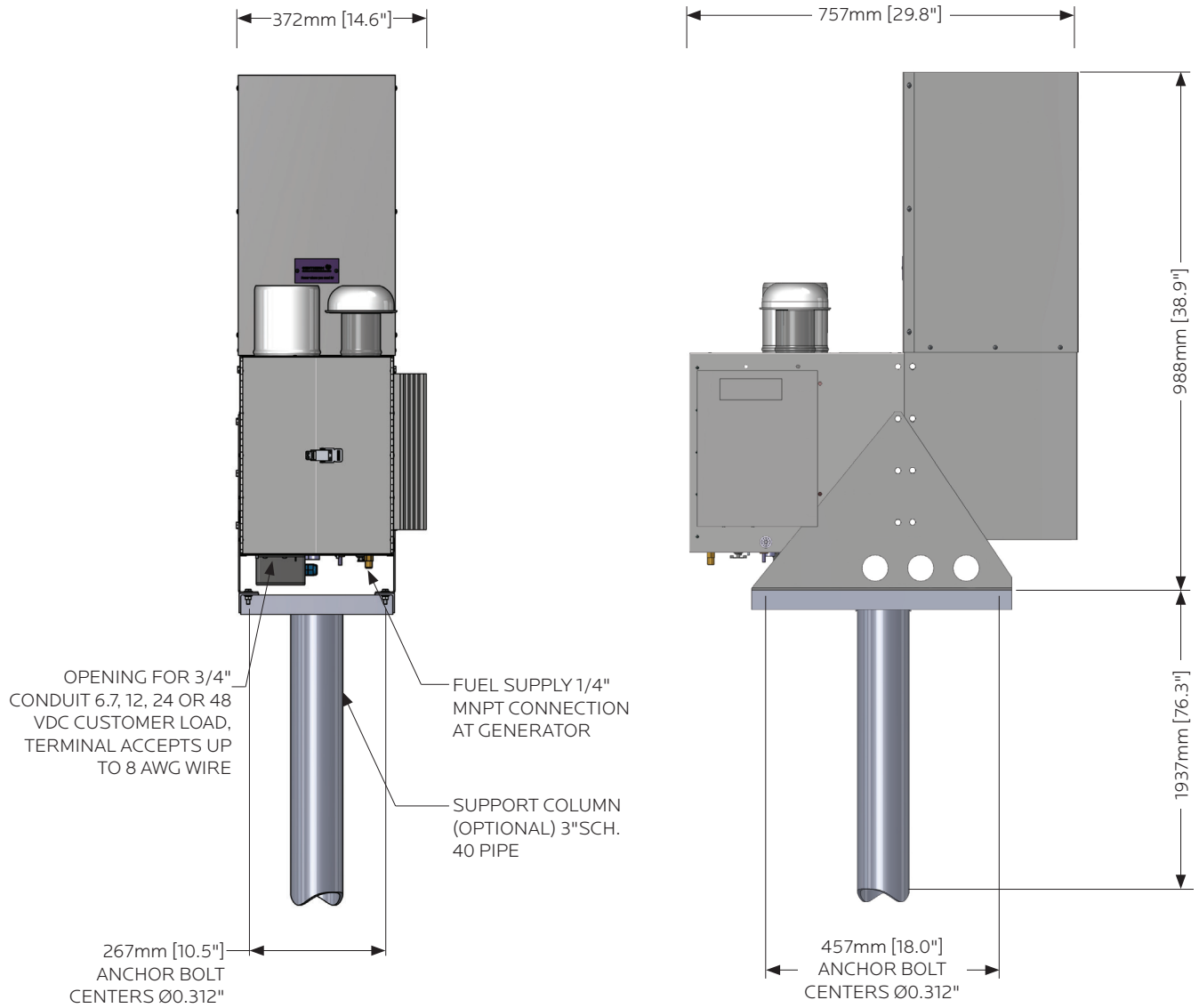
Specifications shown are for standard 5120 configurations. Gentherm Global Power Technologies (GPT) also offers customized products and systems to accommodate custom voltages, fuel supply systems and operating temperatures.

Specification data stated in this document is subject to change without notice. To verify these specifications are current, please contact your GPT sales representative.

P 403 236 5556

E gptsales@gentherm.com

W www.genthermglobalpower.com



NOTES:

Generator Weight: 60 kg [132 lb]

Model: 5120

Gentherm Global Power Technologies

p 403 236 5556

e gptsales@gentherm.com

w genthermglobalpower.com

16, 7875 – 57 Street SE

Calgary, Alberta, Canada T2C 5K7